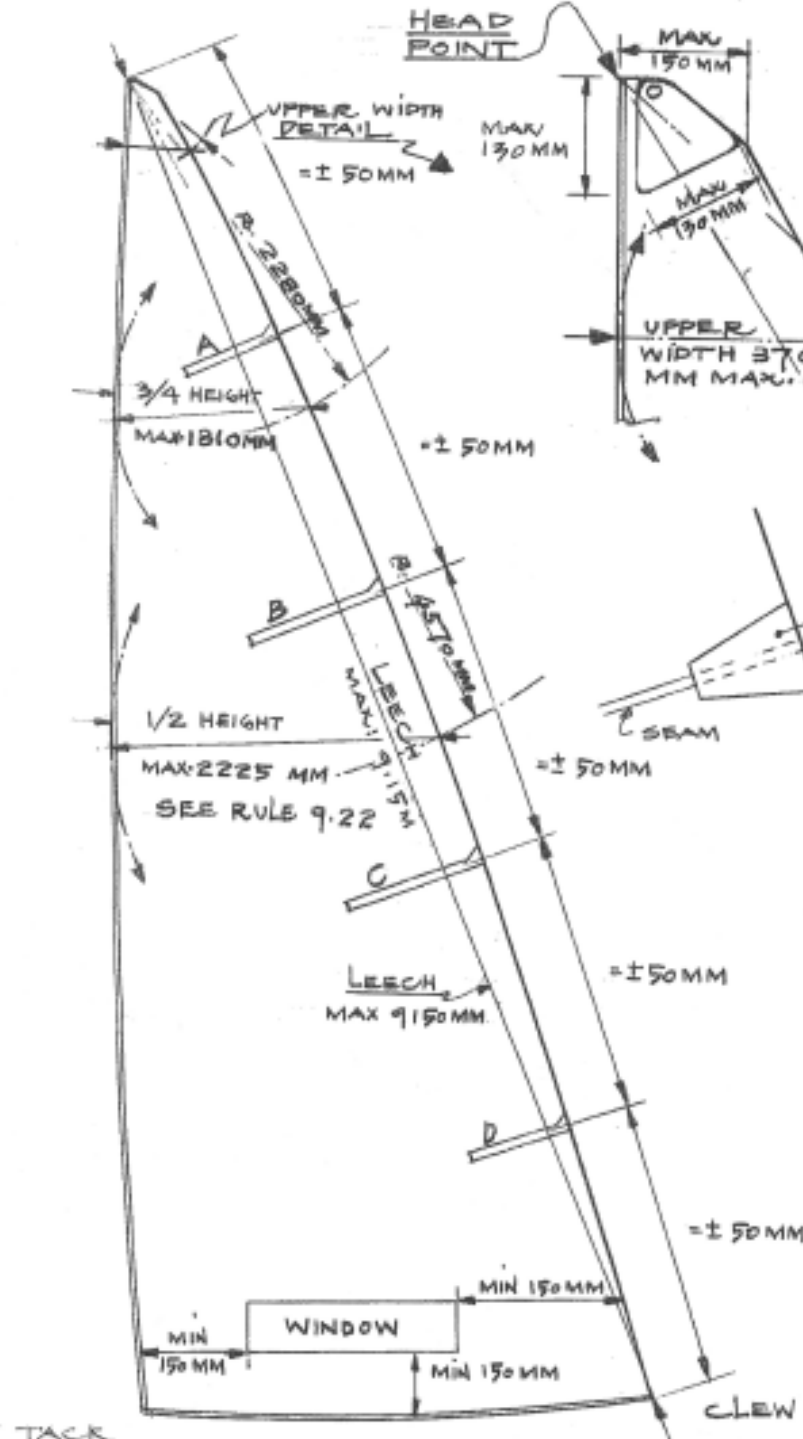


~ MAINSAIL ~



HEAD & HEADBOARD
 THE SHAPE OF THE HEADBOARD
 MAY VARY.
 REINFORCEMENT & STIFFENING OPTIONAL.

BATTEN POCKETS
 No: 4
 LENGTH: A MAX. 800 MM
 B, C & D: max. 1050 mm

REINFORCEMENT PATCHES
 AT INNER/POCKET ENDS
 OPTIONAL.
 MAY BE OUT OF SELF-
 ADHESIVE CLOTH.
 BATTEN POCKETS FROM
 LEACH TO OUTSIDE OF
 INNER END.

FLUTTER PATCHES
 OPTIONAL SIZE -
 MAY BE SELF ADHESIVE CLOTH.

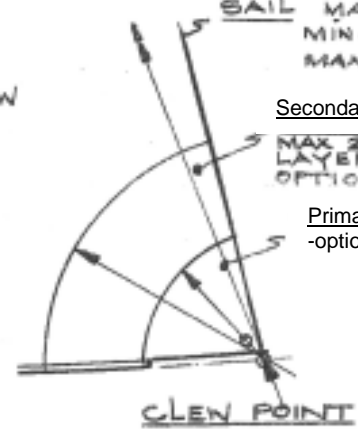
LETTERS & NUMBERS
 HEIGHT MIN: 300 MM
 WIDTH MIN: 200 MM EXCLUDING 1
 THICKNESS MIN: 40 MAX: 50 MM
 SPACING MIN: 60 MM

SAIL MAX: 1 CLOTH - WOVEN
 MIN. WEIGHT 250 g/m²
 MAX. " 300 g/m²

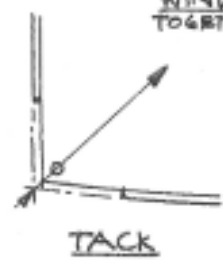
Secondary Reinforcement

MAX 2 ADDITIONAL
 LAYERS CLOTH
 OPTIONAL

Primary Reinforcement
 -optional



WINDOW MAX 2 AND
 TOGETHER MAX TOTAL AREA 0,50 m²



CHAFING PATCH - SIZE OPTIONAL - MAY BE SELF ADHESIVE CLOTH.

SAILMAKERS MARK MAX: 150x150 MM & WITHIN 0.51 M FROM THE TACK.

Length of Batten Pockets B-D: 01.01.2017
 Wording of Reinforcements 01.01.2017

WINDOW AREA 0,5m² 21.11.12
 UPPER WIDTH ADDED 28.02.07