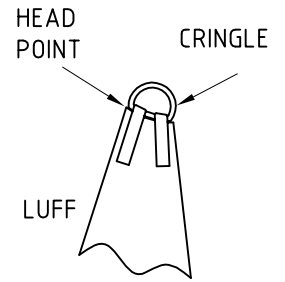
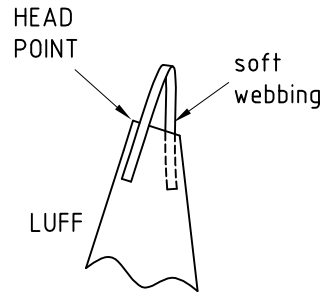
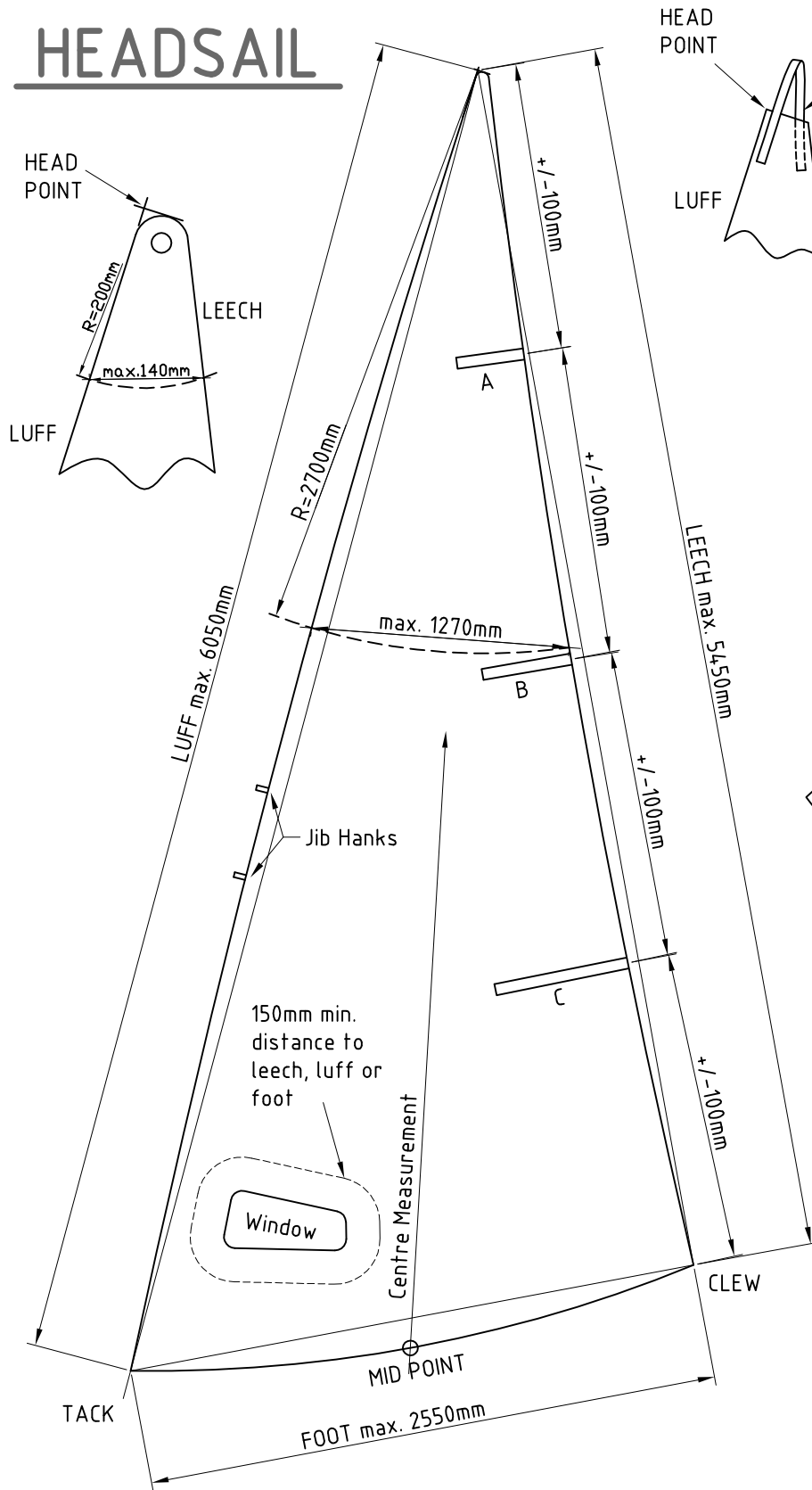


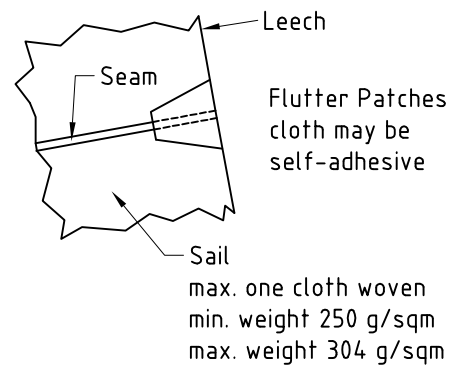
HEADSAIL



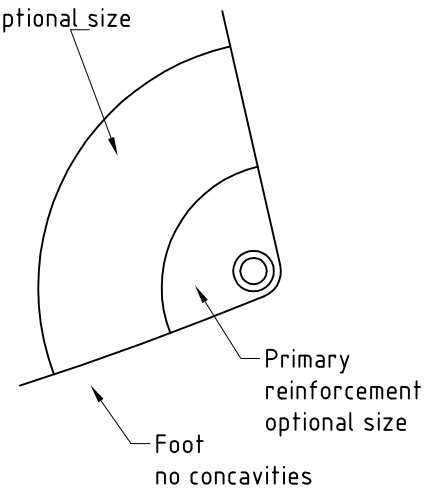
All dimensions from the top are to be taken from the head point of the sail perpendicular to the luff

Batten Pockets-
not more than 3
inside length max.:
A=300mm
B=400mm
C=600mm

Jib Hanks out of soft material-
Not more than 15 and not to be wider than 25mm



Secondary reinforcement
max. 2 additional layers
of cloth as sail
optional size



Centre measurement-distance between intersecting point on the top and mid point on the foot: max. 5800mm

Reinforcement Patches-at batten pockets ends of optional size may be out of selfadhesive cloth

Chafing Patch-may be self-adhesive cloth, size optional

Windows-not more than 2, max. total area: 0.5 sqm

Sail Makers Mark-max. 150x150mm and within 380mm of the tack point

NORDIC FOLKBOAT DWG. No. 9 SAIL MEASUREMENT DIAGRAM

| Revision | Page | Date | Scale | Name |
|----------|-------|------------|--------------|----------------|
| 3 | 1 / 2 | 28.10.2016 | not to scale | Kay-Enno Brink |