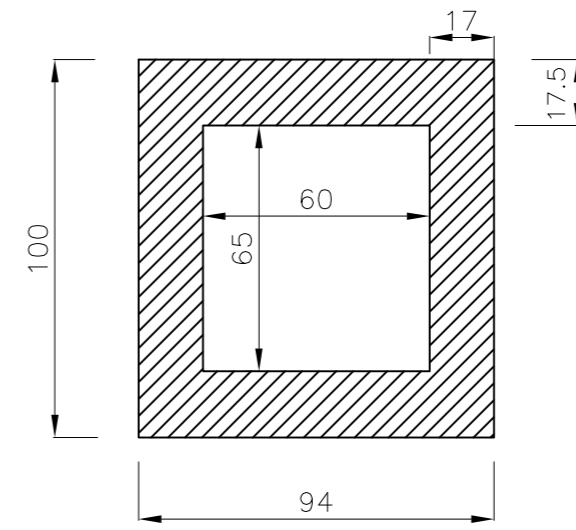
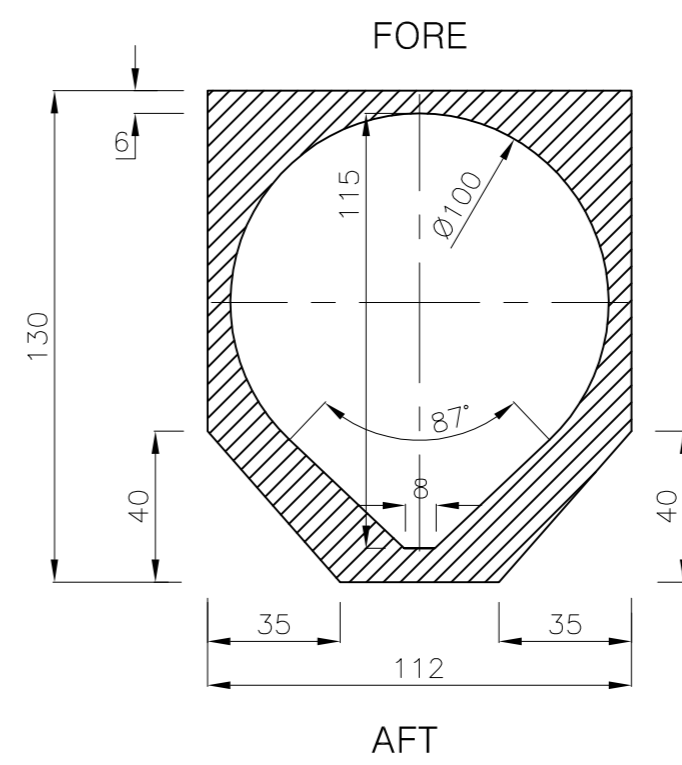


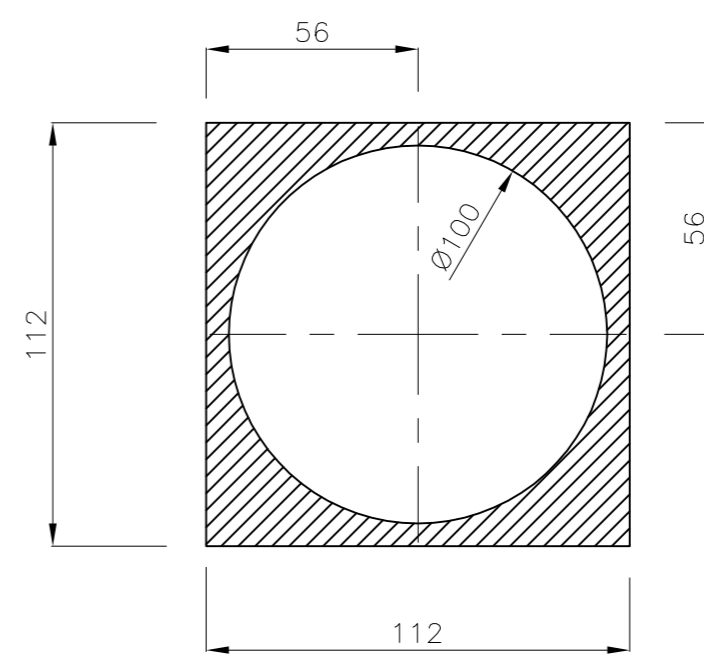
SECTION AT M.B. no. III
 OUTSIDE MAST SPAR HAS TO FIT IN THE HATCHED AREA



SECTION FROM M.B. no. II TO 600 MM. ABOVE M.B. no. I
 OUTSIDE MAST SPAR HAS TO FIT IN THE HATCHED AREA



SECTION FROM 600 MM. ABOVE M.B. no. I TO HEEL POINT
 OUTSIDE MAST SPAR HAS TO FIT IN THE HATCHED AREA



NORDIC FOLKBOAT

ALUMINIUM ALLOY MAST – SECTIONS
 SCALE 1:20 / 1:2 02.10.08 P.J.

DRG. No. 12